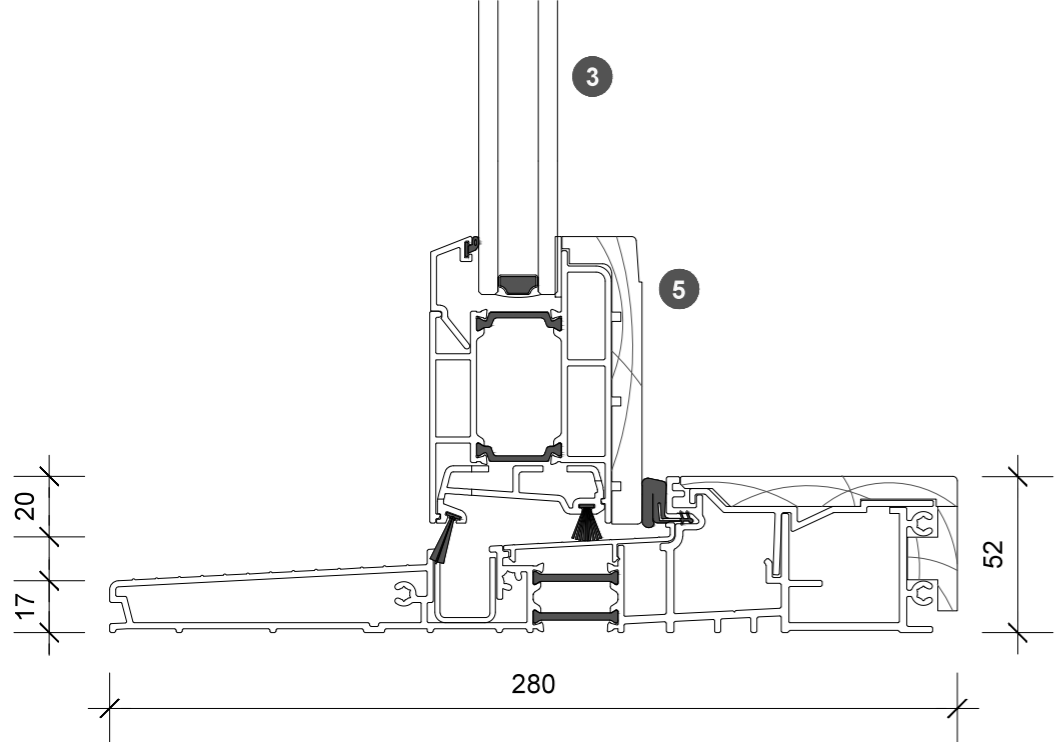
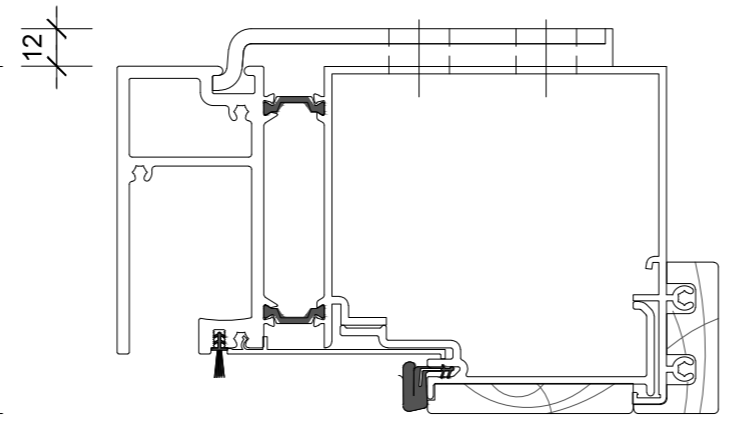


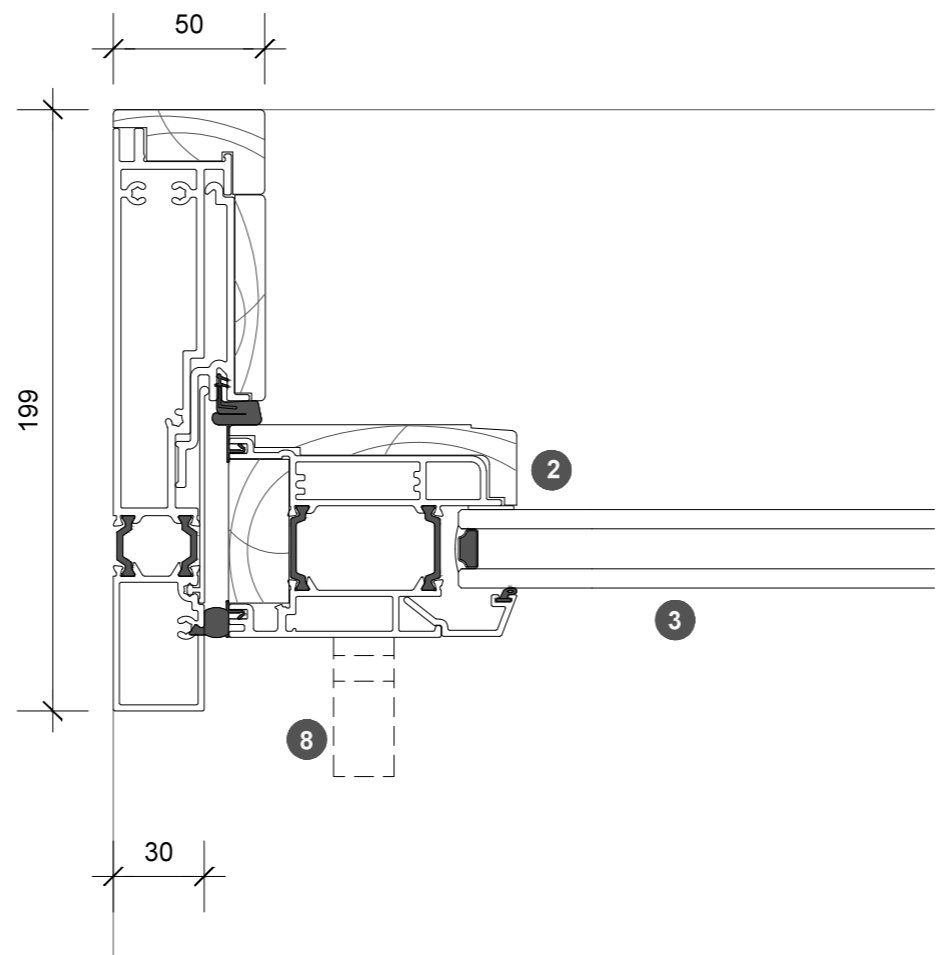
3. head detail



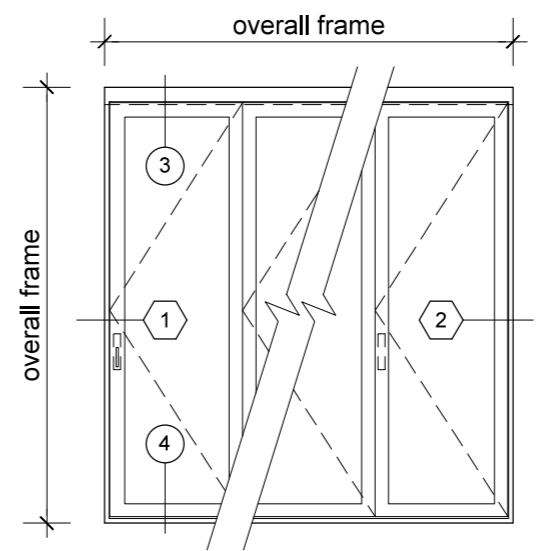
4. sill detail



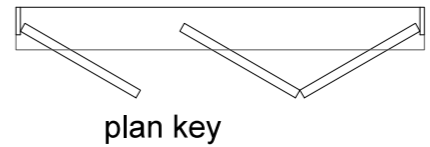
Head support bracket provided where fixing is inboard of the carrier track (folding doors only)



1. jamb detail



elevation key



plan key

2. jamb detail

- 1 screen/shade box
- 2 door panel stile
- 3 glazing
- 4 top rail
- 5 bottom rail
- 6 screen stile
- 7 screen/blind
- 8 lever handle
- 9 pivot

legend