

# centor ARCHITECTURAL

Dropbolts



centor ARCHITECTURAL  
creating systems for windows & doors



DH



DF



DL



DY



DO



DM



DS

# Creating Fastening Solutions

Centor's stylish keyed and non-keyed, flush-mounting dropbolts are the ideal solution for securing or fastening closed folding or sliding windows and doors. Produced to Centor's exacting standards for functionality, aesthetics and longevity, seven distinctive dropbolt ranges are available in lengths, styles and finishes to suit virtually any application.



Centor Dropbolts		Page
<b>Door Dropbolts</b>		
DH	square styling, 40mm throw, various lengths, for outward opening bifold doors, french doors and sliding doors	4
DF	rounded styling, 20mm throw, various lengths, for outward opening bifold doors, french doors and sliding doors	7
DY	rounded styling, 25mm throw, various lengths, for outward opening bifold doors, french doors and sliding doors	10
DO	rounded styling, offset 20mm throw, various lengths, for inward opening bifold doors	13
<b>Window Dropbolts</b>		
DM	narrower rounded styling, 20mm throw and 100mm overall length, for bifold, sliding, casement and awning windows	20
DS	narrower rounded styling, 20mm throw and 300mm overall length, for tall or inaccessible bifold, sliding, casement and awning	23

# CREATING STYLE

## Attractive and Functional

Bifold windows and doors, french doors, sliding doors and windows of all descriptions can benefit from the neat flush-mounted appearance and load-tested reassurance of Centor dropbolts. Closed windows and doors are firmly fastened in place with minimum fuss and maximum style.



### QUALITY APPEARANCE

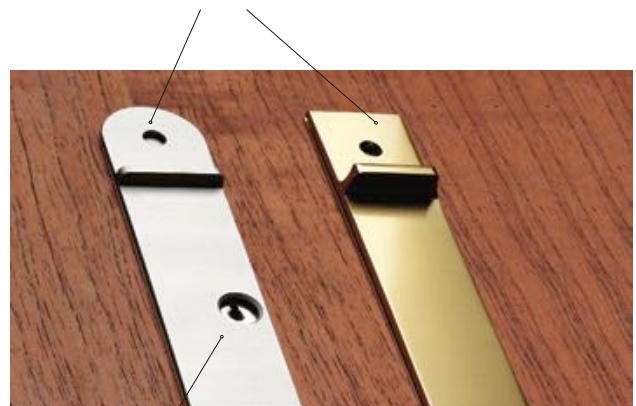
Manufactured from aluminium with a solid stainless steel shaft a wide choice of finishes is available in each range allowing the dropbolts to contrast or tone in with the panel material, as well as the option of matching the dropbolts with exposed door or window hardware.

Easily installed in timber panels with dedicated router bits, Centor's minimalist dropbolts avoid the untidy look of bolted on fasteners and ensure an appearance of the highest quality is maintained across an entire opening.

### LOAD RATED

Impressive wind-load ratings mean Centor dropbolts will anchor windows and doors firmly in place, even in the most extreme weather conditions. All door dropbolt systems are rated to resist a 250 kilogram load when used in Western Red Cedar and 450 kilograms in Amoora. Window systems are rated to 200 kilograms. Centor Architectural is able to test door and window sections and provide a test certificate stating the rating actually achieved.

Rounded or square, dropbolt styling caters for all tastes.



Keyed or non-keyed, to suit virtually any application.

# CREATING ASSURANCE

## Security and Utility

The key to any good fastening system is ensuring the systems it complements can be easily put into use, while opportunity for misuse, or use by unwelcome parties is minimised. Innovative design features mean Centor dropbolts succeed in both enabling access, and denying it!



With bolt throws in lengths from 20mm to 40mm as well as offset throw bolts there's a Centor dropbolt for virtually every application.



### SECURITY OPTIONS

Non-keyed options fasten doors against the elements and provide peace of mind against the casual intruder, while keyed dropbolts offer full 'deadlock' security. Thoughtful dead-bolt design means the bolt can only be released when the key has been removed, preventing damage to doors. Dropbolts are available keyed alike and can be rekeyed to match other household locks by a professional locksmith.

### ACCESSIBILITY

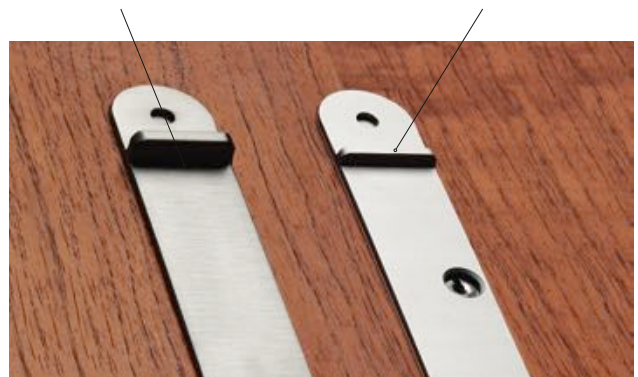
Whether installed at the top or bottom of doors or windows, Centor dropbolts need never be out of reach. With a choice of lengths available across each range, easy operation is assured for every potential user.

### WARRANTY

Like all Centor products, every dropbolt is covered by a ten-year warranty against manufacturing defects.

Standard profile grip for easy dropbolt handling.

Low profile grip solves clearance issues for parallel and cavity-sliding doors.



## Centor DH Dropbolt

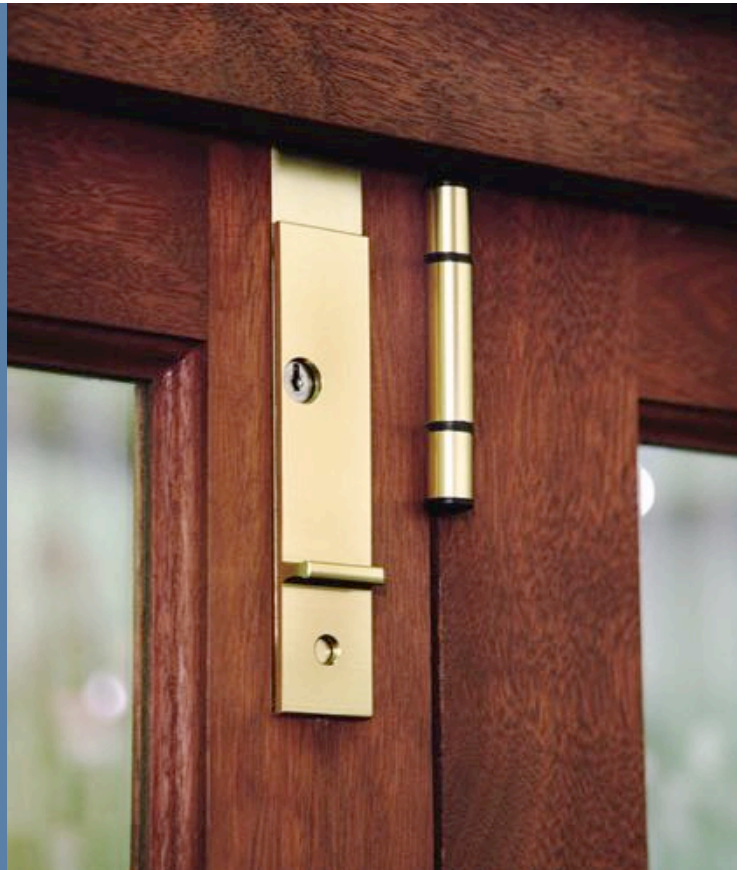
Suited to outward opening bifold doors, french doors and sliding doors, Centor DH features an extended 40mm throw. DH can be specified in any appropriate application where its distinctive square-edged styling is preferred.

### DH SPECIFICATIONS

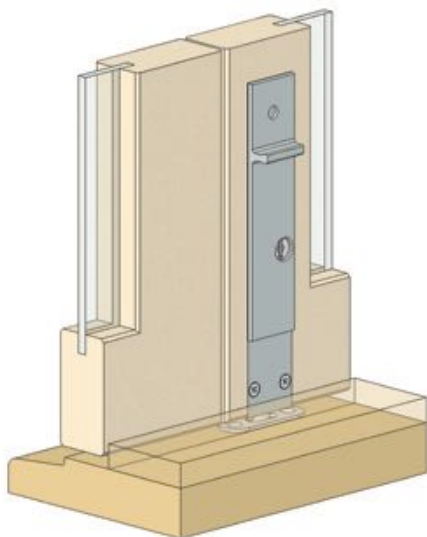
max wind load	450kg force
min door thickness	35mm
security	keyed, non-keyed
dropbolt lengths	200/400mm
throw length	40mm
finishes	natural anodised gold anodised chrome* custom powdercoat*

\* Chrome and custom powdercoat available by special order.

DH dropbolts will resist high winds and are rated to resist a 250kg load in Western Red Cedar and 450kg in Amoora. Centor Architectural can test your actual door section and provide a test certificate stating the rating achieved. DH features a unique damage-proof mechanism for bifold doors which prevents the bolt being operated if the key is left in the lock. The bolts are easily installed with a dedicated router bit and are available in natural anodised, gold anodised, chrome and custom powdercoat. The bolts are supplied keyed alike and may be rekeyed by a professional locksmith.

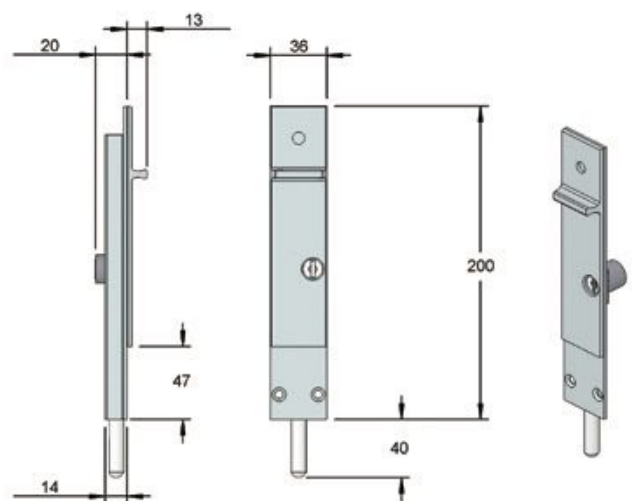


### Architectural Detail



Patent granted

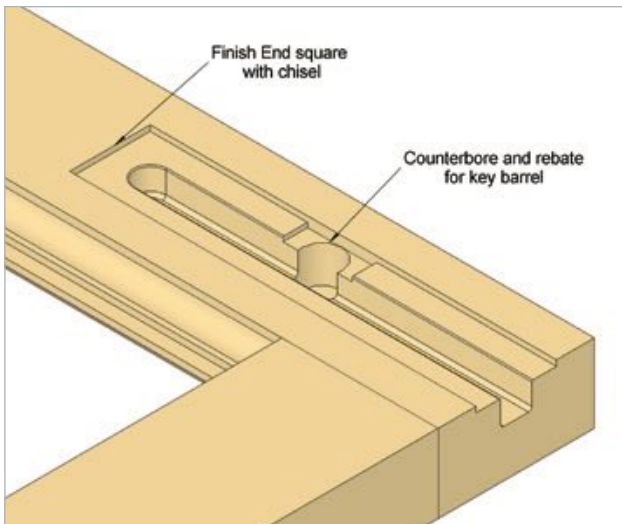
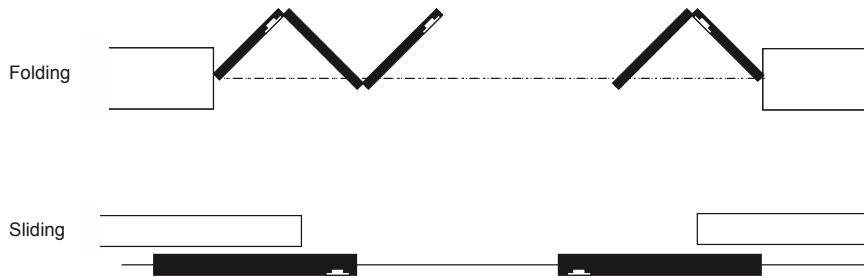
### DH dropbolt assembly



HA-001.DXF

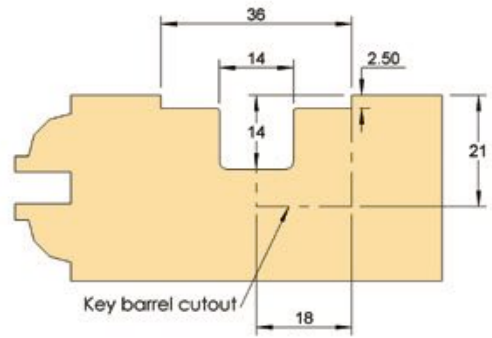
## INSTALLATION

Dropbolts locations in some typical configurations



### Installation


1. machine with router bit
2. fit bolt to door
3. fit striker cup/plate



HA-002.DXF

## Centor DH Dropbolt CONTINUED

### DH / KEYED

PARTS	PRODUCT CODE	DESCRIPTION
	DBHA200KSG	200mm dropbolt, keyed, gold anodised
	DBHA200KSN	200mm dropbolt, keyed, natural anodised


Chrome and custom powdercoat available by special order.

### DH / NON-KEYED

PARTS	PRODUCT CODE	DESCRIPTION
	DBHA200NSG	200mm dropbolt, non-keyed, gold anodised
	DBHA200NSN	200mm dropbolt, non-keyed, natural anodised
	DBHA400NSG	400mm dropbolt, non-keyed, gold anodised
	DBHA400NSN	400mm dropbolt, non-keyed, natural anodised

Chrome and custom powdercoat available by special order.

### ROUTER BIT

PART	PRODUCT CODE	DESCRIPTION
	DBFORB	dedicated router bit for professional installation of Centor Architectural DH, DF, DL, DY and DO dropbolts

### CUPS

PART	PRODUCT CODE	DESCRIPTION
	DBCS	dropbolt cup, stainless steel
	DBCB	dropbolt cup, brass



## Centor DF Dropbolt

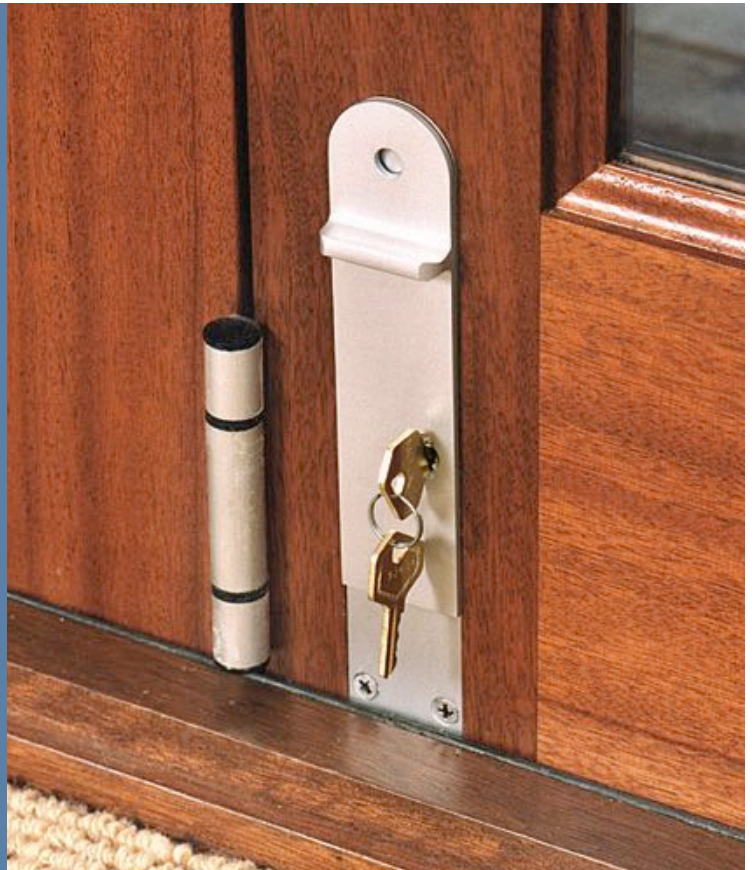
Suited to outward opening bifold doors, french doors and sliding doors, Centor DF comes with a 20mm throw and rounded styling. An extensive range of lengths (to 1000mm) and finishes are available.

### DF SPECIFICATIONS

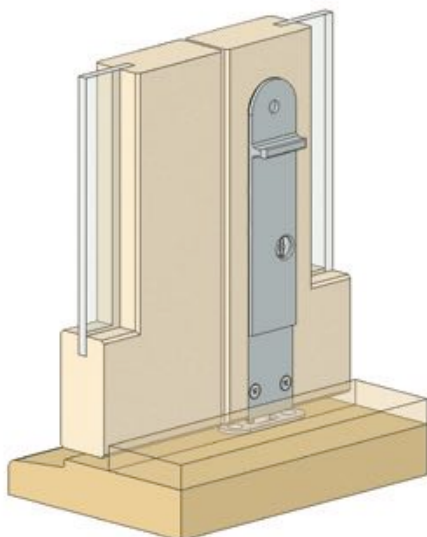
max wind load	450kg force
min door thickness	35mm
security	keyed, non-keyed
dropbolt lengths	200/400/600/1000mm
throw length	20mm
finishes	gold anodised brushed metallic chrome* natural anodised* custom powdercoat*

\*Chrome, natural anodised and custom powdercoat available by special order.

DF dropbolts will resist high winds and is rated to resist a 250kg load in Western Red Cedar and 450kg in Amoora. Centor can test your actual door section and provide a test certificate stating the rating achieved. DF features a unique damage-proof mechanism for bifold doors which prevents the bolt being operated if the key is left in the lock. The bolts are easily installed with a dedicated router bit and are available in gold anodised, brushed metallic, chrome, natural anodised and custom powdercoat finishes. The bolts are available keyed alike and may be rekeyed by a professional locksmith.

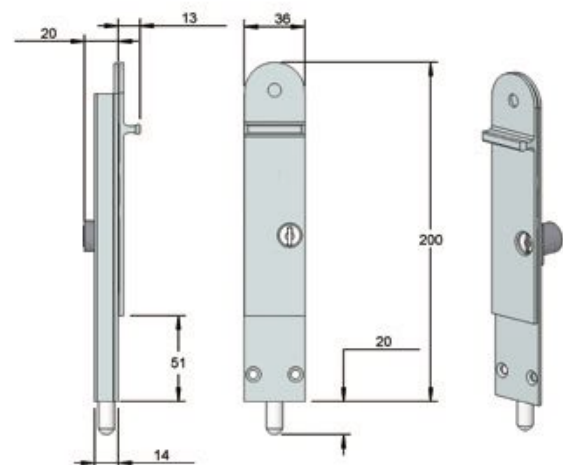


### Architectural Detail



Patent granted

### DF dropbolt assembly

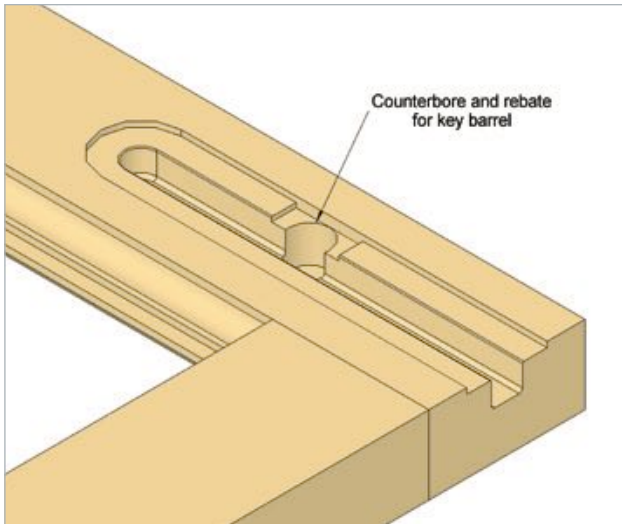
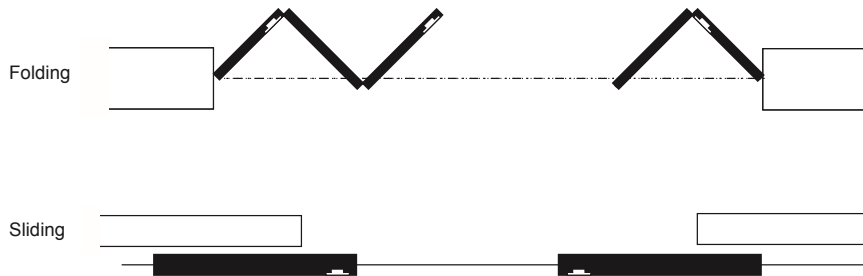


FO-001.DXF

# Centor DF Dropbolt CONTINUED

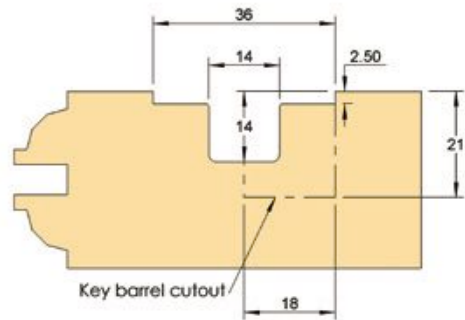
## INSTALLATION

Dropbolts locations in some typical configurations




### Installation

1. machine with router bit
2. fit bolt to door
3. fit striker cup/plate




FO-002.DXF

DF / KEYED

PART	PRODUCT CODE	DESCRIPTION
	DBFO200KRG	200mm dropbolt, keyed, gold anodised
	DBFO200KRX	200mm dropbolt, keyed, brushed metallic
	DBFO400KRG	400mm dropbolt, keyed, gold anodised
	DBFO400KRX	400mm dropbolt, keyed, brushed metallic
	DBFO600KRG	600mm dropbolt, keyed, gold anodised
	DBFO600KRX	600mm dropbolt, keyed, brushed metallic
	DBFO1000KRX	1000mm dropbolt, keyed, brushed metallic

Chrome and custom powdercoat available by special order.

DF / NON-KEYED

PART	PRODUCT CODE	DESCRIPTION
	DBFO200NRG	200mm dropbolt, non-keyed, gold anodised
	DBFO200NRX	200mm dropbolt, non-keyed, brushed metallic
	DBFO400NRG	400mm dropbolt, non-keyed, gold anodised
	DBFO400NRX	400mm dropbolt, non-keyed, brushed metallic
	DBFO600NRG	600mm dropbolt, non-keyed, gold anodised
	DBFO600NRX	600mm dropbolt, non-keyed, brushed metallic
	DBFO1000NRX	1000mm dropbolt, non-keyed, brushed metallic

Chrome and custom powdercoat available by special order.

ROUTER BIT

PART	PRODUCT CODE	DESCRIPTION
	DBFORB	dedicated router bit for professional installation of Centor Architectural DH, DF, DL, DY and DO dropbolts

## Centor DY Dropbolt

Suited to outward opening bifold doors, french doors and sliding doors, Centor DS features an extended 25mm throw, rounded styling and an extensive range of lengths (to 1000mm) and finishes.

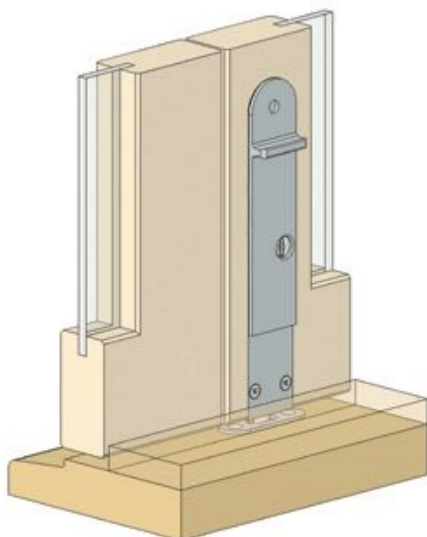
### DY SPECIFICATIONS

max wind load	450kg force
min door thickness	35mm
security	keyed, non-keyed
dropbolt lengths	200/400/600/1000mm
throw length	25mm
finishes	gold anodised brushed metallic oil rubbed bronze powdercoat

DY will resist high winds and is rated to resist a 250kg load in Western Red Cedar and 450kg in Amroora. Centor can test your actual door section and provide a test certificate stating the rating achieved. DY features a unique damage-proof mechanism for bifold doors which prevents the bolt being operated if the key is left in the lock. The bolts are easily installed with a dedicated router bit and are available in gold anodised, brushed metallic and oil rubbed bronze powdercoat. The bolts are available keyed alike and may be rekeyed by a professional locksmith.

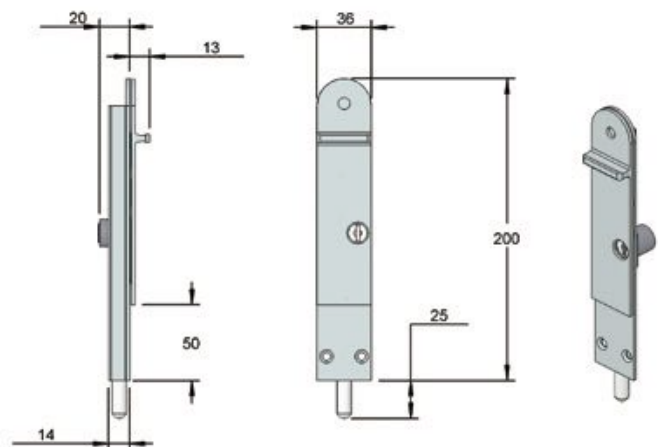


### Architectural Detail



Patent granted

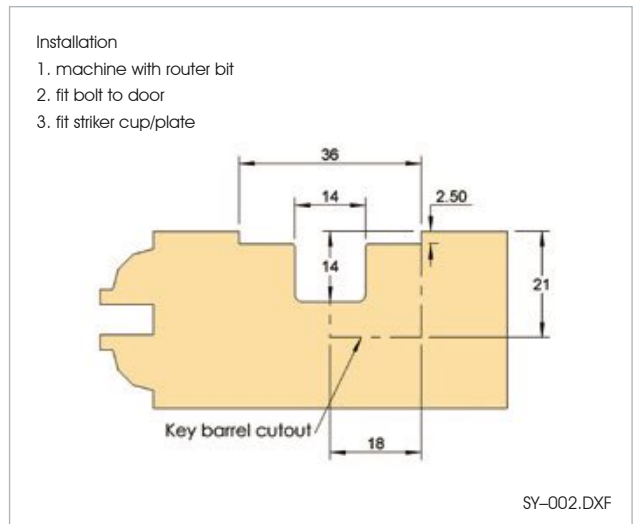
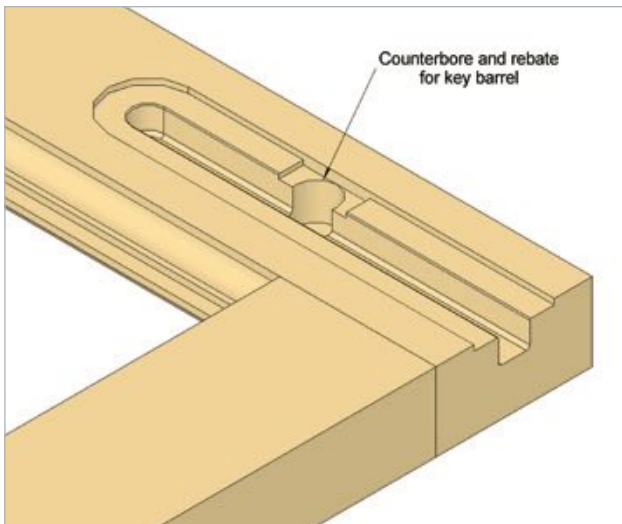
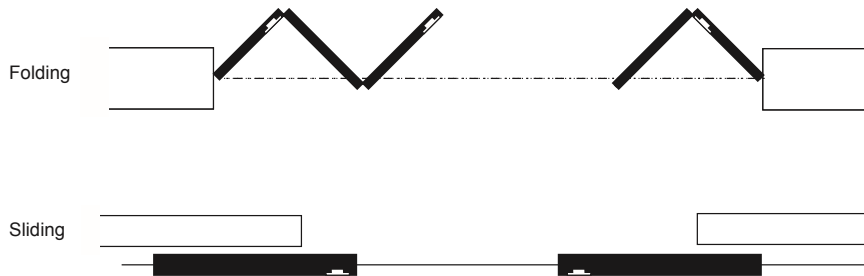
### DY dropbolt assembly



SY-001.DXF


## INSTALLATION

Dropbolts locations in some typical configurations




## Centor DY Dropbolt CONTINUED

### DY / KEYED

PARTS	PRODUCT CODE	DESCRIPTION
	DBSY200KRG	200mm dropbolt, keyed, gold anodised
	DBSY200KRQ	200mm dropbolt, keyed, oil rubbed bronze powdercoat
	DBSY200KRX	200mm dropbolt, keyed, brushed metallic
	DBSY400KRQ	400mm dropbolt, keyed, oil rubbed bronze powdercoat
	DBSY600KRQ	600mm dropbolt, keyed, oil rubbed bronze powdercoat

### DY / NON-KEYED

PARTS	PRODUCT CODE	DESCRIPTION
	DBSY200NRG	200mm dropbolt, non-keyed, gold anodised
	DBSY200NRQ	200mm dropbolt, non-keyed, oil rubbed bronze powdercoat
	DBSY200NRX	200mm dropbolt, non-keyed, brushed metallic
	DBSY400NRG	400mm dropbolt, non-keyed, gold anodised
	DBSY400NRQ	200mm dropbolt, non-keyed, oil rubbed bronze powdercoat
	DBSY400NRX	400mm dropbolt, non-keyed, brushed metallic
	DBSY600NRG	600mm dropbolt, non-keyed, gold anodised
	DBSY600NRQ	600mm dropbolt, non-keyed, oil rubbed bronze powdercoat
	DBSY1000NRQ	1000mm dropbolt, non-keyed, oil rubbed bronze powdercoat

### ROUTER BIT

PART	PRODUCT CODE	DESCRIPTION
	DBFORB	dedicated router bit for professional installation of Centor Architectural DH, DF, DL, DY and DO dropbolts

### CUPS

PART	PRODUCT CODE	DESCRIPTION
	DBCS	dropbolt cup, stainless steel
	DBCQ	dropbolt cup, oil rubbed bronze powdercoat
	DBC	dropbolt cup, brass

## Centor DO Dropbolt (for inward opening)

Designed specifically for use with inward opening bifold and French doors, Centor DO comes into its own wherever an offset bolt is required. It features rounded styling and an extensive range of lengths and finishes.

DO SPECIFICATIONS	
max wind load	450kg force
min door thickness	35mm
security	keyed, non-keyed
dropbolt lengths	200/400/600/1000mm
throw length	20mm
finishes	gold anodised brushed metallic oil rubbed bronze powdercoat chrome* natural anodised* custom powdercoat*

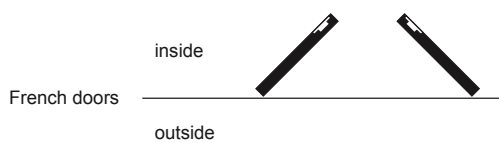
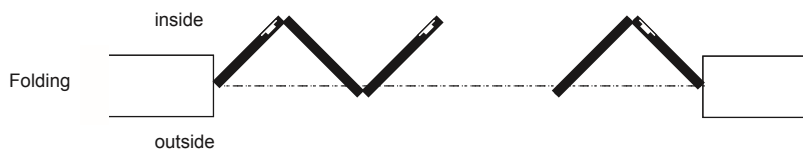
\*Chrome, natural anodised and custom powdercoat available by special order.

DO Dropbolt offers all the style and security of the DF but with its offset bolt is designed for inward opening applications such as french doors, entry doors or inward opening bifold doors.



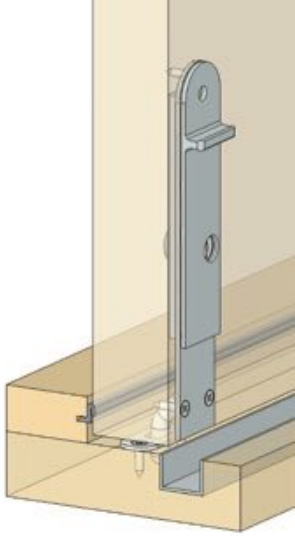
### INSTALLATION

Dropbolts locations in some typical configurations



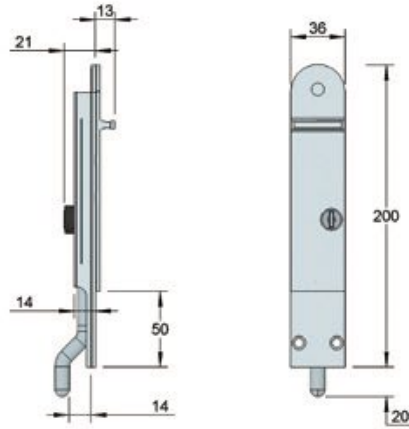
# Centor DOv Dropbolt

Architectural Detail

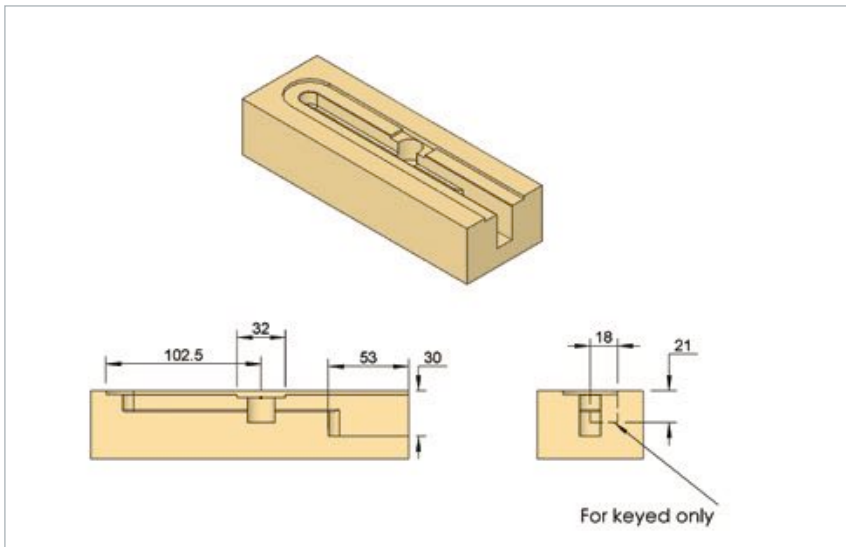


Patent granted

DOv dropbolt assembly




DOV-001.DXF





DOv / KEYED

PARTS	PRODUCT CODE	DESCRIPTION
	DBOV200KRG	200mm dropbolt, keyed, gold anodised
	DBOV200KRN	200mm dropbolt, keyed, natural anodised
	DBOV400KRG	400mm dropbolt, keyed, gold anodised

Chrome, natural anodised and custom powdercoat available by special order.

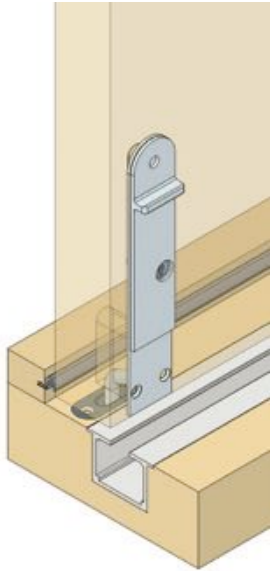
DOv / NON-KEYED

PARTS	PRODUCT CODE	DESCRIPTION
	DBOV200NRG	200mm dropbolt, non-keyed, gold anodised
	DBOV200NRN	200mm dropbolt, non-keyed, natural anodised
	DBOV400NRG	400mm dropbolt, non-keyed, gold anodised
	DBOV600NRG	600mm dropbolt, non-keyed, gold anodised

Chrome, natural anodised and custom powdercoat available by special order.

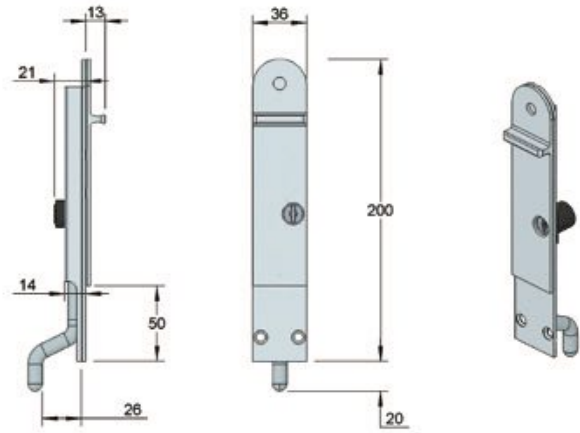
# Centor DOe Dropbolt

Architectural Detail

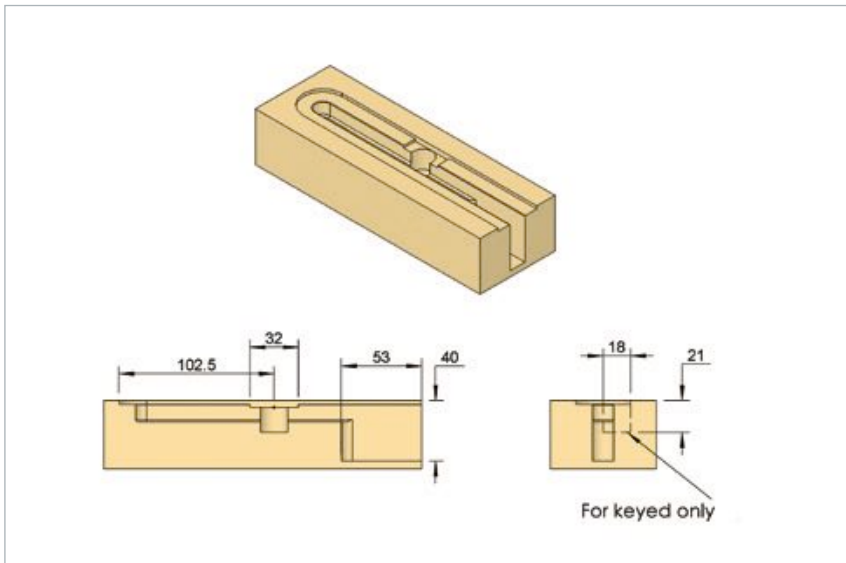


Patent granted


DOe dropbolt assembly



DOE-001.DXF



DOe / KEYED

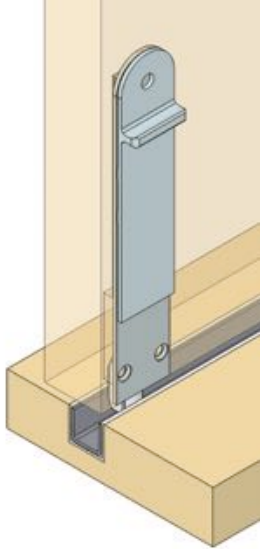
PARTS	PRODUCT CODE	DESCRIPTION
	DBOE200KRG	200mm dropbolt, keyed, gold anodised
	DBOE200KRQ	200mm dropbolt, keyed, oil rubbed bronze powdercoat
	DBOE200KRX	200mm dropbolt, keyed, brushed metallic
	DBOE400KRG	200mm dropbolt, keyed, gold anodised
	DBOE400KRX	200mm dropbolt, keyed, brushed metallic
	DBOE600KRG	200mm dropbolt, keyed, gold anodised
	DBOE600KRX	200mm dropbolt, keyed, brushed metallic

DOe / NON-KEYED

PARTS	PRODUCT CODE	DESCRIPTION
	DBOE200NRG	200mm dropbolt, non-keyed, gold anodised
	DBOE200NRQ	200mm dropbolt, non-keyed, oil rubbed bronze powdercoat
	DBOE200NRX	200mm dropbolt, non-keyed, brushed metallic
	DBOE400NRG	200mm dropbolt, non-keyed, gold anodised
	DBOE400NRQ	200mm dropbolt, non-keyed, oil rubbed bronze powdercoat
	DBOE400NRX	200mm dropbolt, non-keyed, brushed metallic
	DBOE600NRG	200mm dropbolt, non-keyed, gold anodised
	DBOE600NRQ	200mm dropbolt, non-keyed, oil rubbed bronze powdercoat
	DBOE600NRX	200mm dropbolt, non-keyed, brushed metallic
	DBOE1000NRG	200mm dropbolt, non-keyed, gold anodised
	DBOE1000NRQ	200mm dropbolt, non-keyed, oil rubbed bronze powdercoat
	DBOE1000NRX	200mm dropbolt, non-keyed, brushed metallic

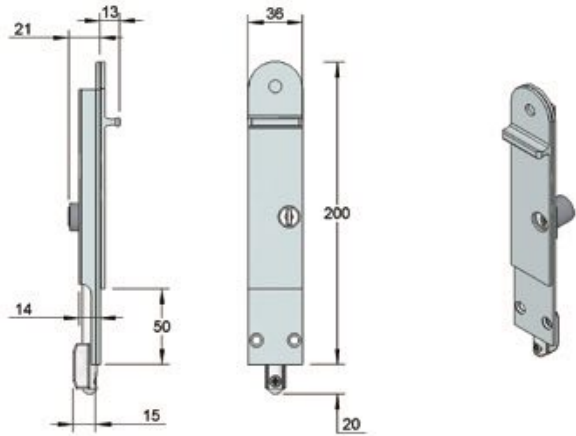
# Centor D0c Dropbolt

Architectural Detail

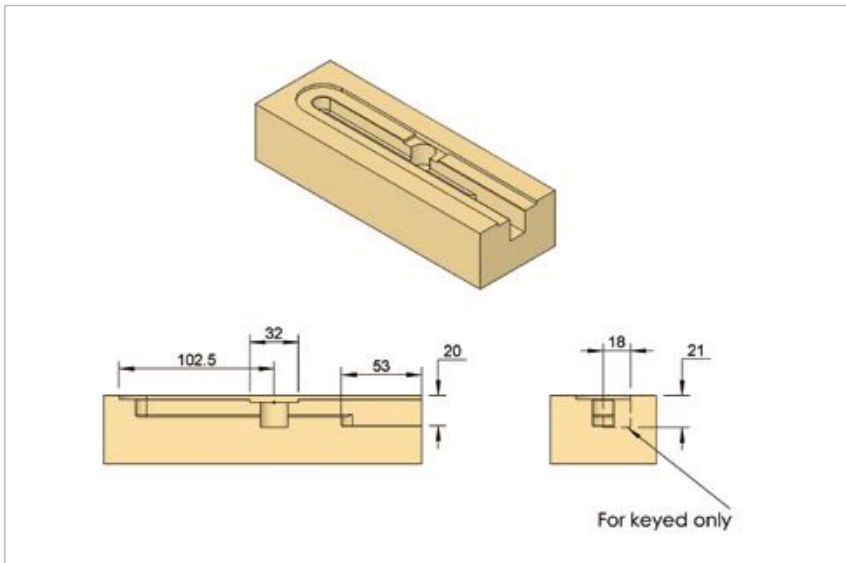


Patent granted

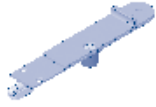
D0c dropbolt assembly



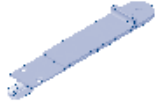
DOC-001.DXF



DOc / KEYED

PARTS	PRODUCT CODE	DESCRIPTION
	DBOC200KRG	200mm dropbolt, concealed, keyed, gold anodised
	DBOC200KRQ	200mm dropbolt, concealed, keyed, oil rubbed bronze powdercoat
	DBOC200KRX	200mm dropbolt, concealed, keyed, brushed metallic

DOc / NON-KEYED

PARTS	PRODUCT CODE	DESCRIPTION
	DBOC200NRG	200mm dropbolt, concealed, non-keyed, gold anodised
	DBOC200NRQ	200mm dropbolt, concealed, non-keyed, oil rubbed bronze powdercoat
	DBOC200NRX	200mm dropbolt, concealed, non-keyed, brushed metallic
	DBOC400NRQ	400mm dropbolt, concealed, non-keyed, oil rubbed bronze powdercoat

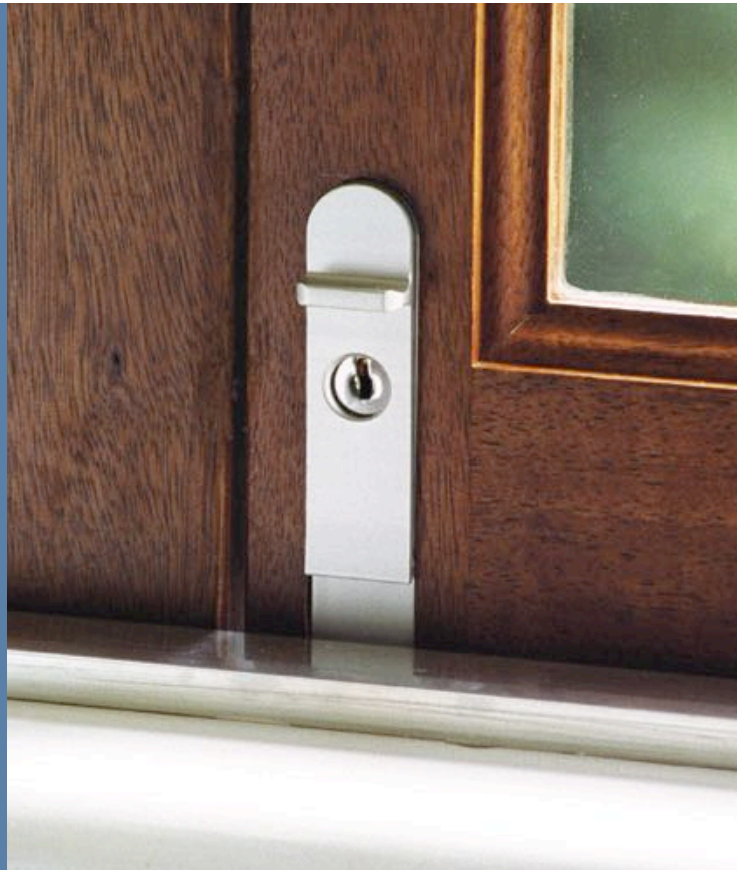
## Centor DM Dropbolt

Half the length (100mm) of the smallest door dropbolt system and correspondingly narrow, Centor DM is designed to flush-mount into window frames with minimal visual impact.

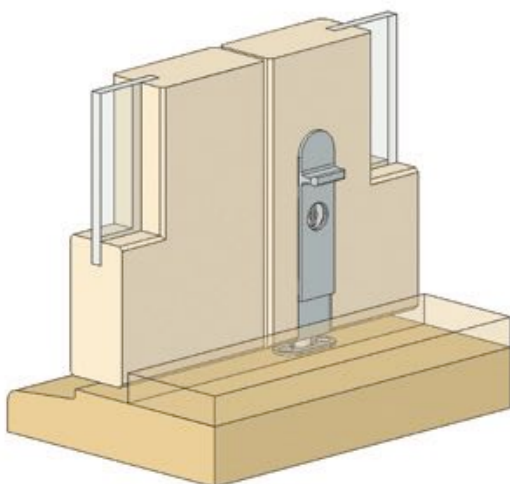
### DM SPECIFICATIONS

max wind load	200kg force
min door thickness	35mm
security	keyed
dropbolt lengths	100mm
throw length	20mm
finishes	gold anodised brushed metallic

DM Dropbolt is suitable for locking casement, awning, sliding and bifold windows. At 100mm long, it is half the size of the DM bolt and is designed to flush-mount into the window frame with minimal visual impact. DM can be supplied keyed alike to your DF or DH locks and can be re-keyed to other window locks in the house by any professional locksmith.

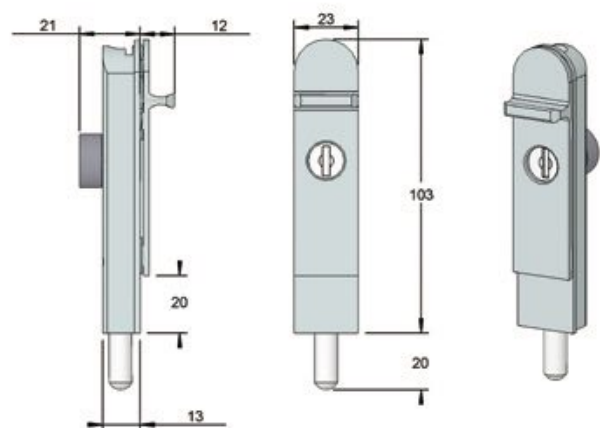


Architectural Detail



Patent granted

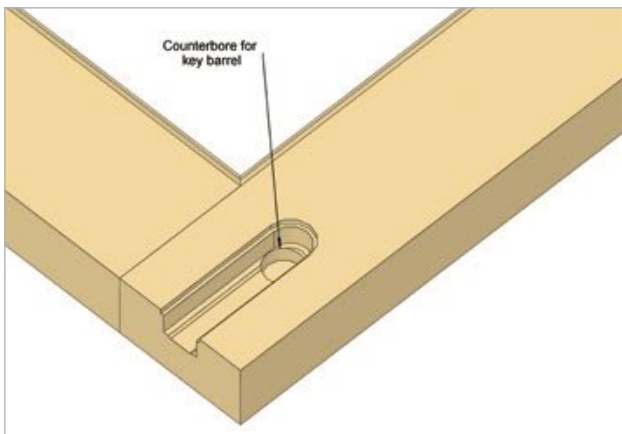
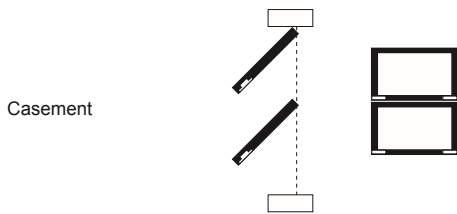
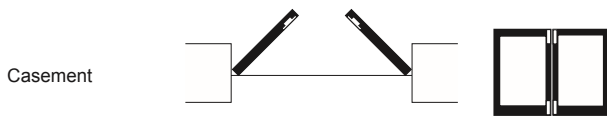
DH dropbolt assembly



MI-001.DXF

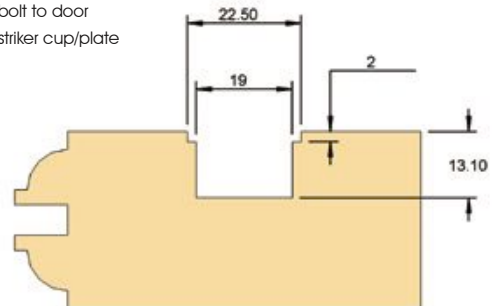
## INSTALLATION

Dropbolts locations in some typical configurations



### Installation



1. machine with router bit
2. fit bolt to door
3. fit striker cup/plate



MI-002.DXF

## Centor DM Dropbolt CONTINUED

DM / KEYED

PART	PRODUCT CODE	DESCRIPTION
	DBM1100KRG	100mm dropbolt, keyed, gold anodised
	DBM1100KRX	100mm dropbolt, keyed, brushed metallic
	DBMIRB	router bit
	DBMICL	moulded plastic cup





## Centor DS Dropbolt

Only 36mm in width, Centor DS is the ideal dropbolt for tall timber windows with narrow framing. The extended 300mm barrel means the hand-grip is within reach whether placed at the top of tall windows or behind furniture.

### DS SPECIFICATIONS

max wind load	200kg force
min door thickness	35mm
security	keyed
dropbolt lengths	300mm
throw length	20mm
finishes	gold anodised

The 300mm length of the DS Dropbolt makes it an ideal bolt to install in tall windows, or in windows where furniture such as benches restrict accessibility. The slim profile of the DS makes it ideal for timber windows with narrow framing. The cylinder can be re-keyed to other window locks in the house by a professional locksmith.

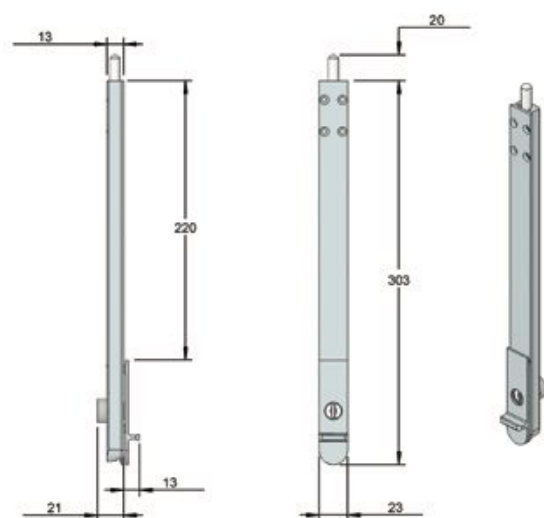


### Architectural Detail



Patent granted

### DH dropbolt assembly

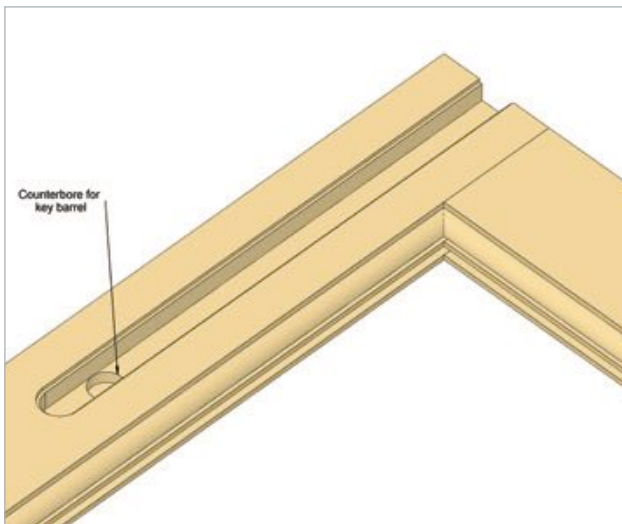
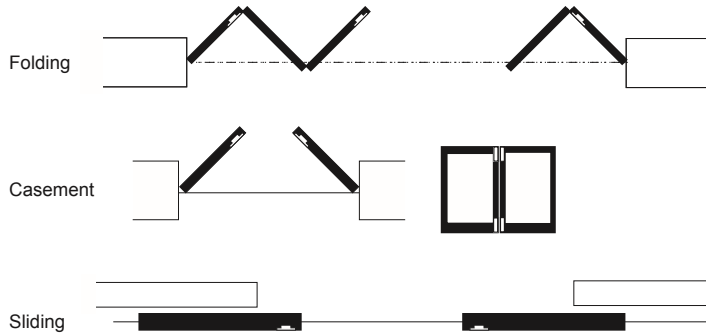


SO-001.DXF

# Centor DS Dropbolt CONTINUED

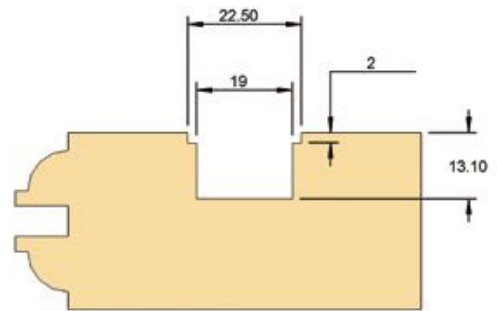
## INSTALLATION

Dropbolts locations in some typical configurations



### Installation

1. machine with router bit
2. fit bolt to door
3. fit striker cup/plate



SO-002.DXF

## DS / KEYED

PART	PRODUCT CODE	DESCRIPTION
	DBSO300KRG	300mm dropbolt, keyed, gold anodised
	DBMIRB	router bit
	DBMICL	moulded plastic cup

## E2

E2 is a medium bifolding door hardware system for panels to 40 Kg. E2 is suitable for a range of residential and light commercial applications which do not require the extra capacity of the medium-heavy E3 or the substantial E4 heavy-duty door system. Easily installed E2 hardware can be teamed with standard door panels in timber, aluminium, PVC or fibreglass.



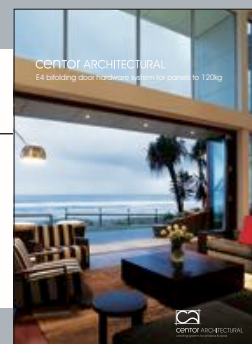
## E3

Centor E3 is a medium-heavy bifolding door hardware system for door panels to 80 Kg. E3 is suitable for a range of applications from stylish private residences to the most ambitious store front, restaurant or commercial project; anywhere the ability to flexibly manage space to suit lifestyle or business is required. Easily installed E3 hardware can be teamed with standard door panels in timber, aluminium, PVC or fibreglass.



## E4

Centor Architectural's most generously proportioned solution for creating seamless transitions between indoor and outdoor spaces, E4 is heavy-duty bifolding door hardware for panels to 120 Kg. E4 is suitable for openings in larger residential and commercial applications. Taller, wider door panels, expanses of framed glass; E4 provides the flexibility to manage space for lifestyle or business – on a grand scale.



## ES2

Centor's door screening system for bifold doors is integrated into the bifolding door frame itself. This new system, a superbly effective, world-first fully integrated screening solution for openings as large as 3m high and 5.8m wide, means there's no need to compromise between uninterrupted views and unrestricted movement in the summer months and the need to eliminate annoying flying pests year-round.





400-300-030-001

Centor Europe Ltd

610 Solar Park  
Highlands Road  
Solihull, B90 4SH, UK  
telephone +44 (0)121 701 2500  
facsimile +44 (0)121 701 2515  
mail@centor.eu  
www.centor.eu

centor®