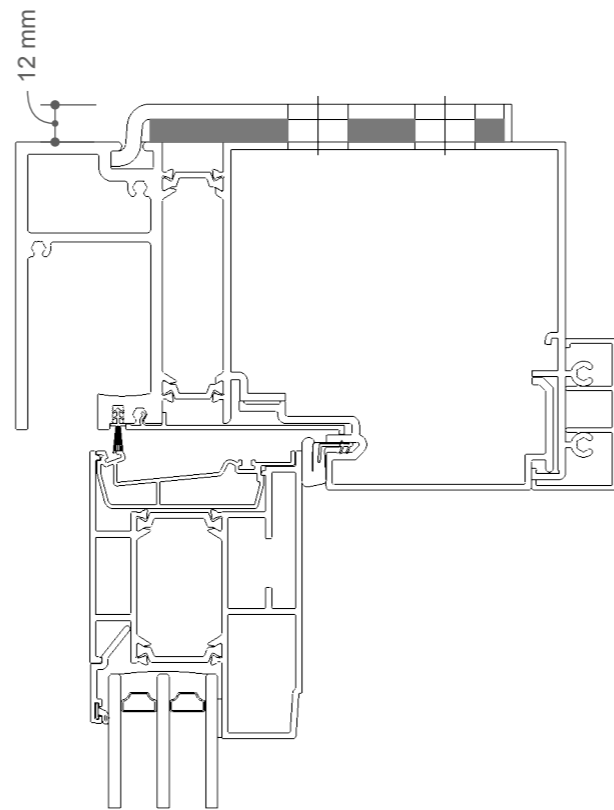
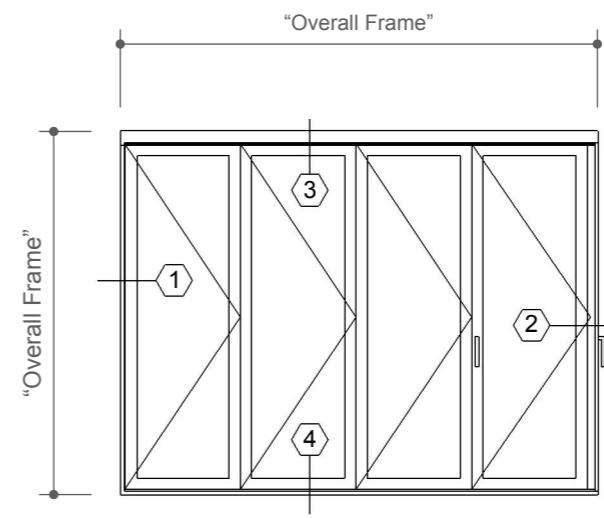


3. Head detail

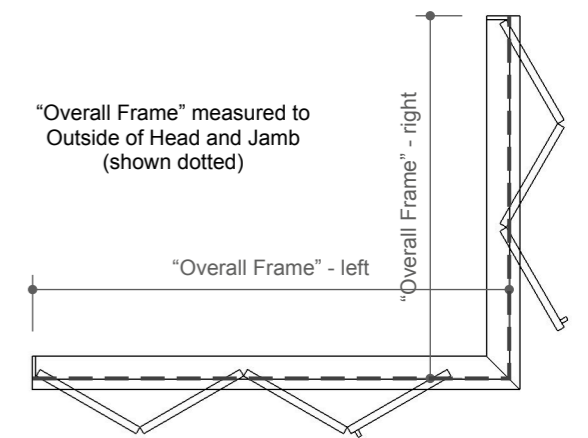


3a. Alternate head detail

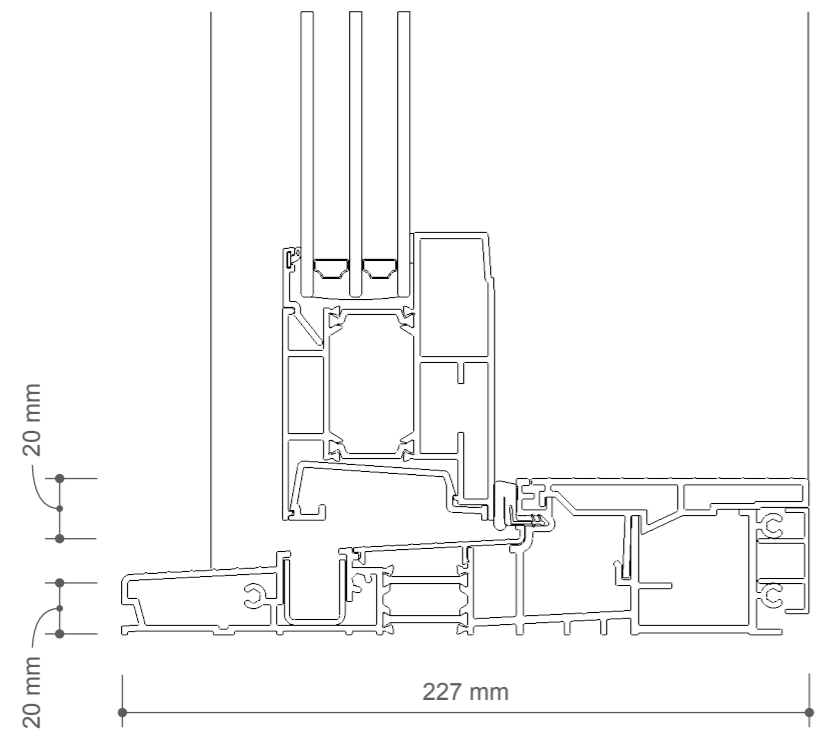


Elevation key

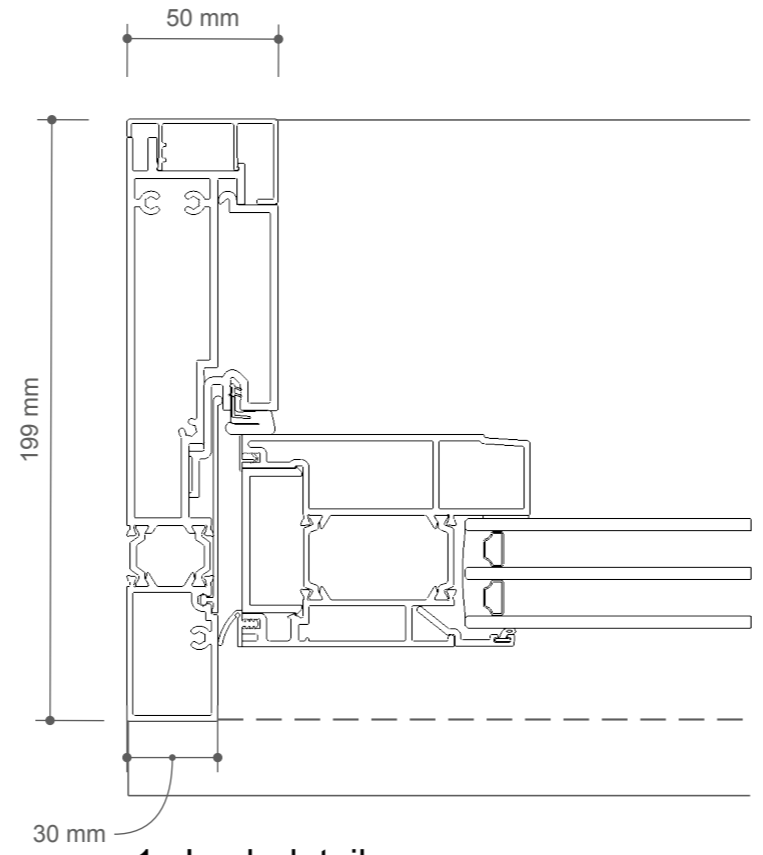
left frame	right frame	
	odd no. of panels	even no. of panels
odd no. of panels	available	available
even no. of panels	available	not available



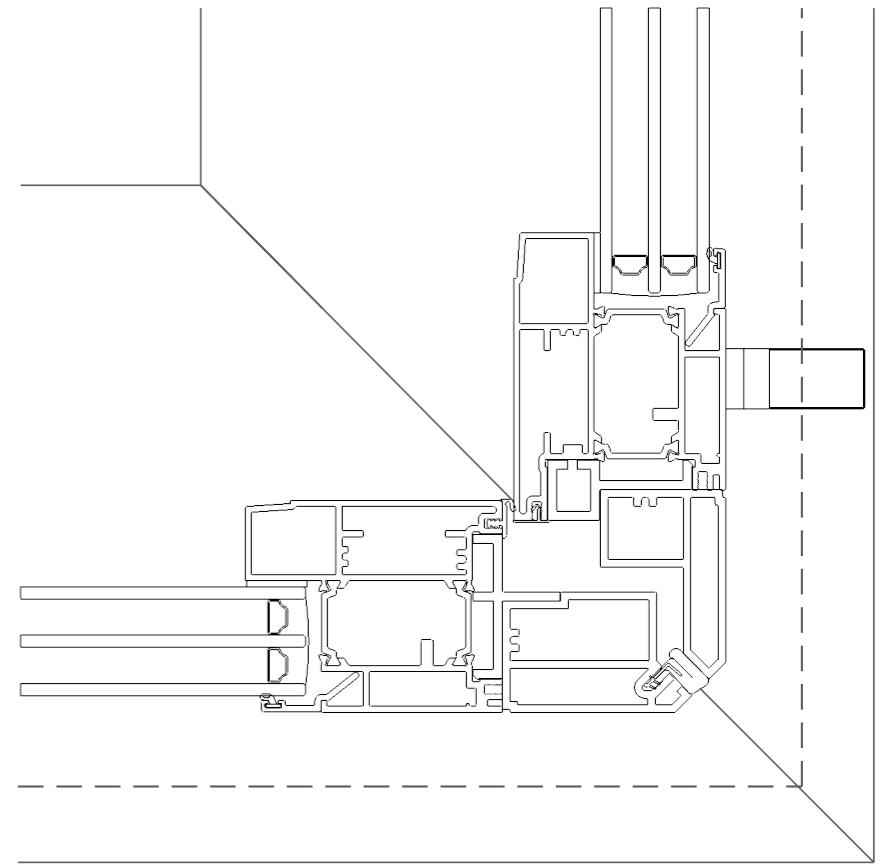
Plan key



4. Sill detail



1. Jamb detail



2. Corner stile detail