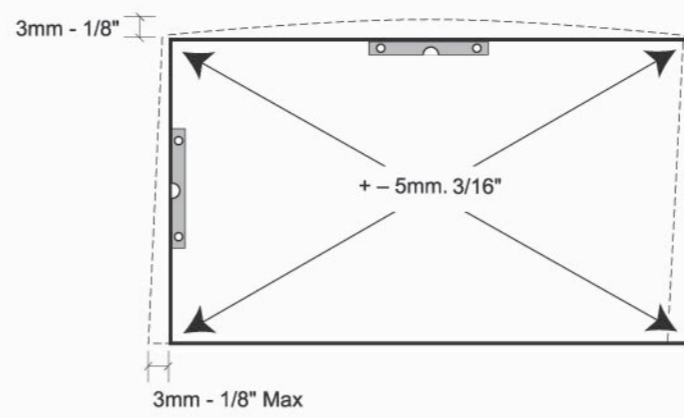


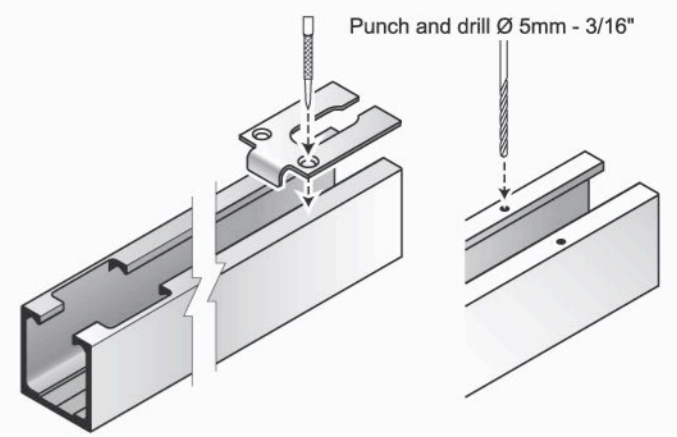
Centor Australia Pty Ltd
1300 CENTOR
mail@centor.com.au
www.centor.com.au

Centor Europe Ltd
+44 (0)121 782 5400
mail@centor.eu
www.centoreu

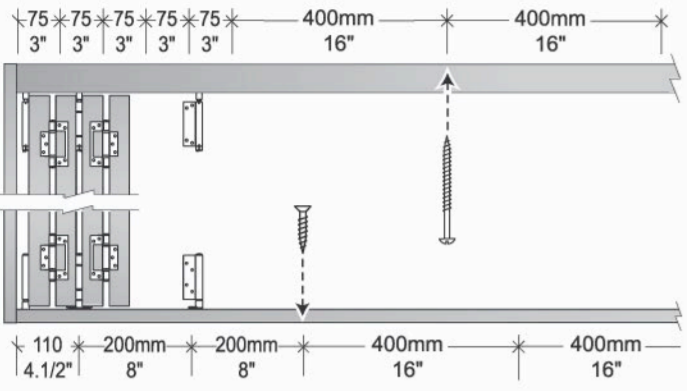
Centor North America Inc.
toll free 866-255-0008
mail@centorarchitectural.com
www.centorarchitectural.com



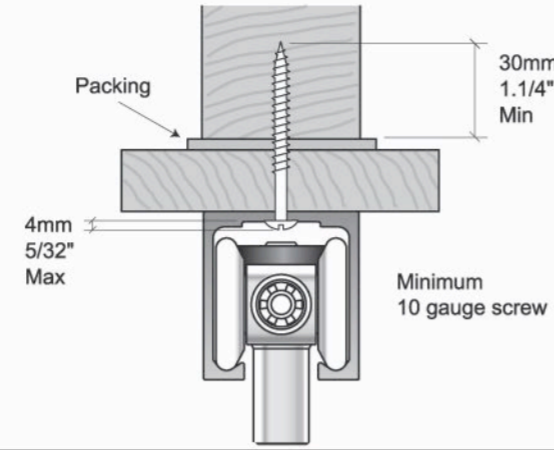
1. INSTALL FRAME



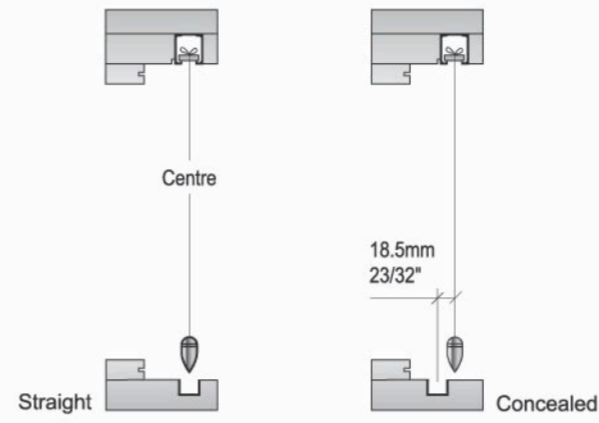
2. BI-PARTING SETS ONLY



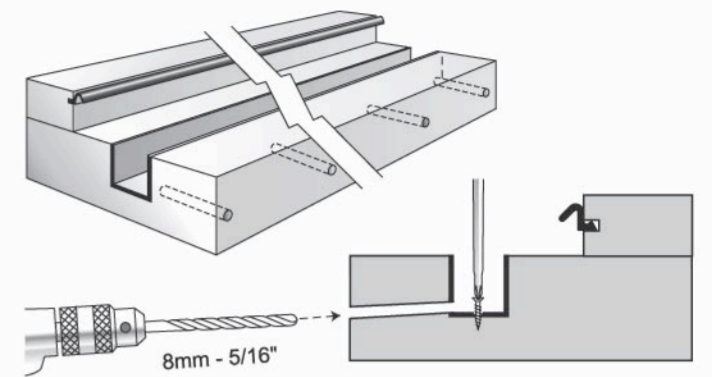
3. MAXIMUM TRACK FIXING CENTRES



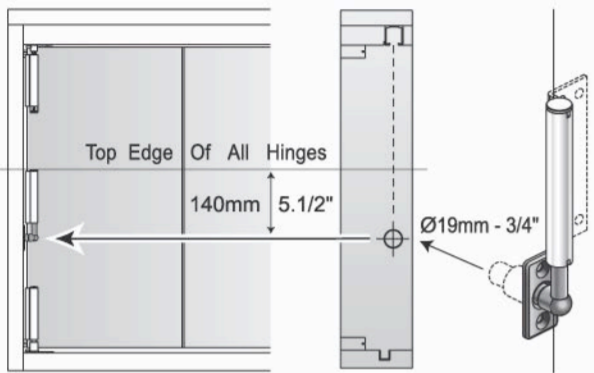
4. TRACK FIXING & CARRIER CLEARANCE



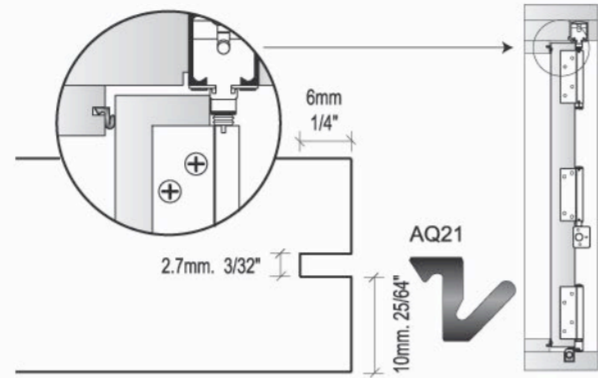
5. FRONT ALIGNMENT



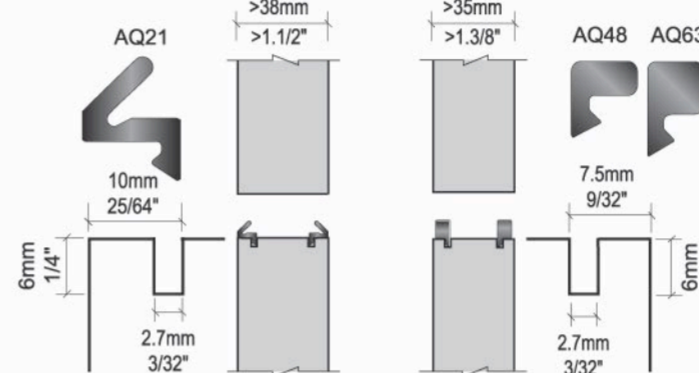
6. CHANNEL FIXING - DRAINAGE



7. WALL PIVOTS



8. PERIMETER SEAL



9. PANEL SEALS

E2 Calc XL™ spreadsheet

Centor E2 Calc XL™ is designed for the E2 folding door system. E2 Calc XL™ will operate on any system running Microsoft Excel 95 or later.



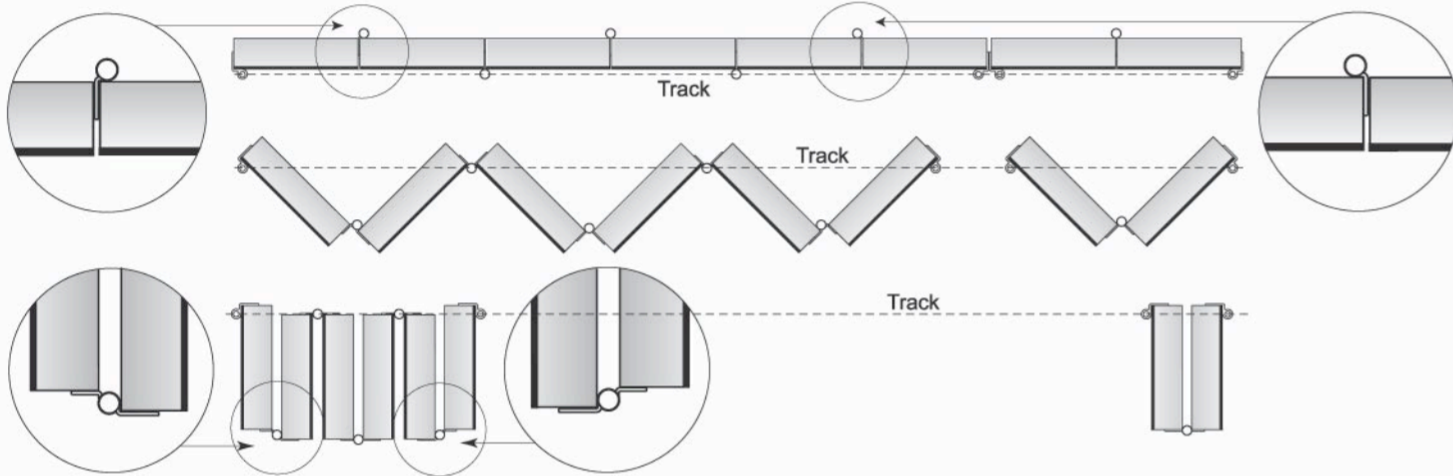
Visit our website to download E2 Calc XL™

Centor Australia
www.centor.com.au/au/e2+_doorcalc.html

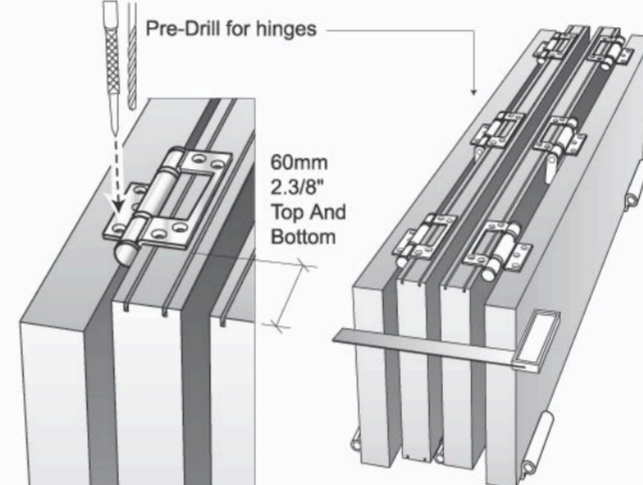
Centor Europe
www.centor.com.eu/europe/e2+_doorcalc.html

Centor North America
www.centor.com.us/america/e2+_doorcalc.html

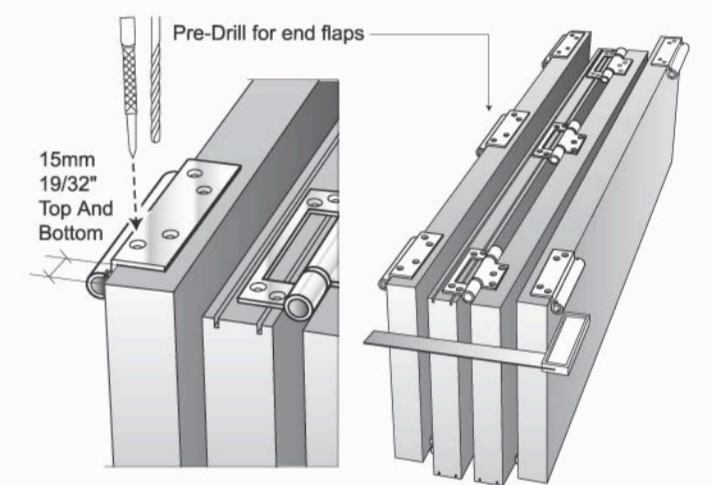
10. CALCULATING PANEL SIZE



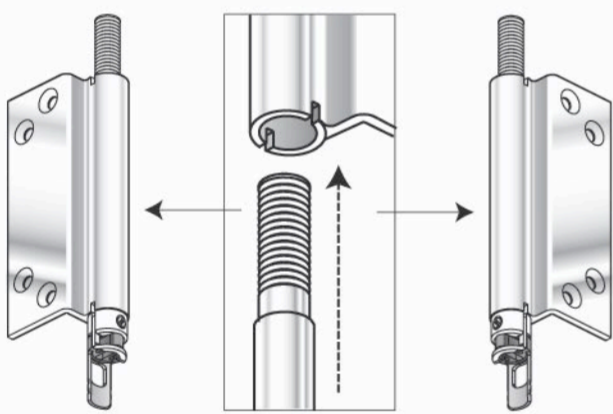
11. PANEL ORIENTATION



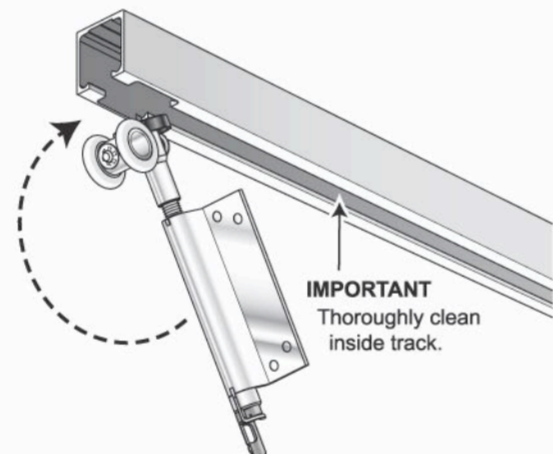
12. HINGES



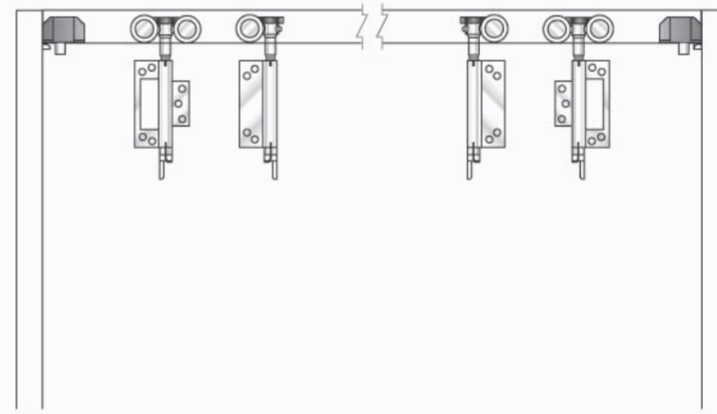
13. CARRIERS AND GUIDES



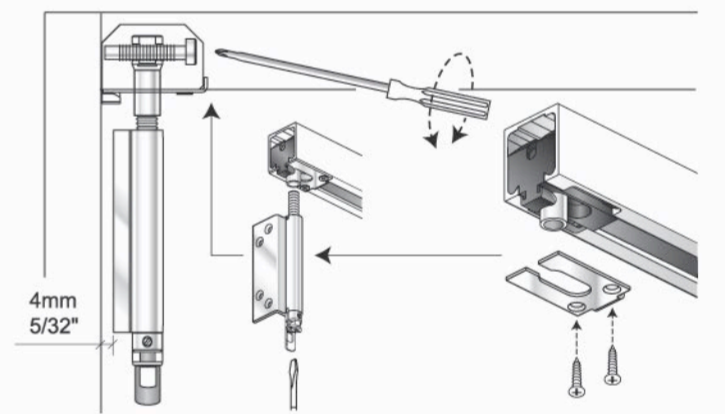
14. ASSEMBLY - REVERSIBLE



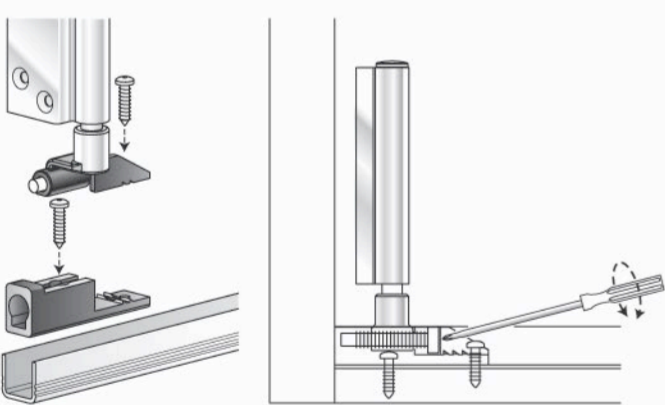
15. HARDWARE INSTALLATION



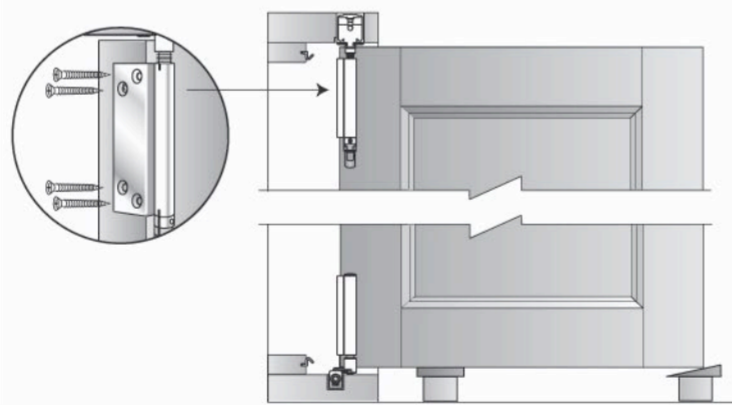
16. HARDWARE ORIENTATION



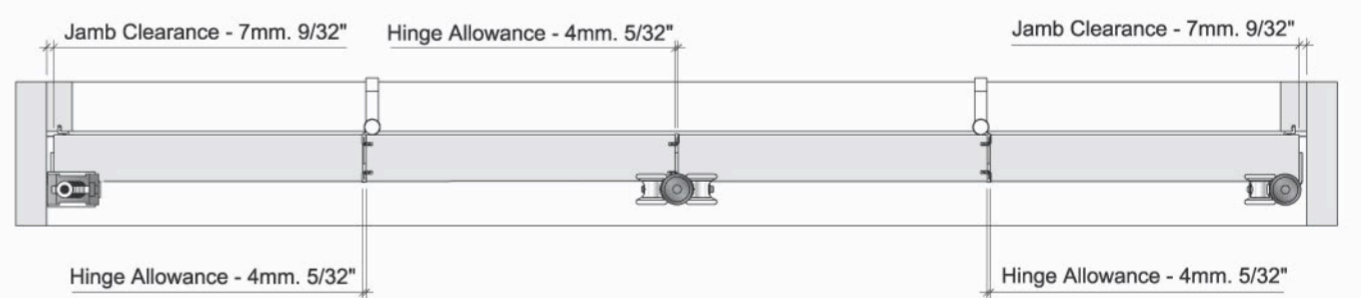
17. TOP PIVOT BLOCK



18. BOTTOM PIVOT BLOCK

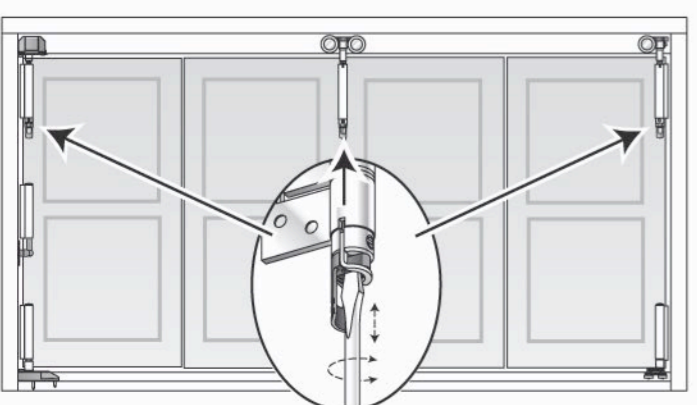
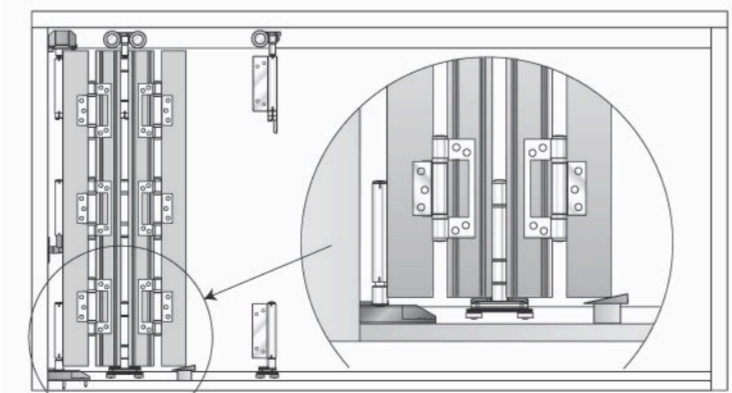
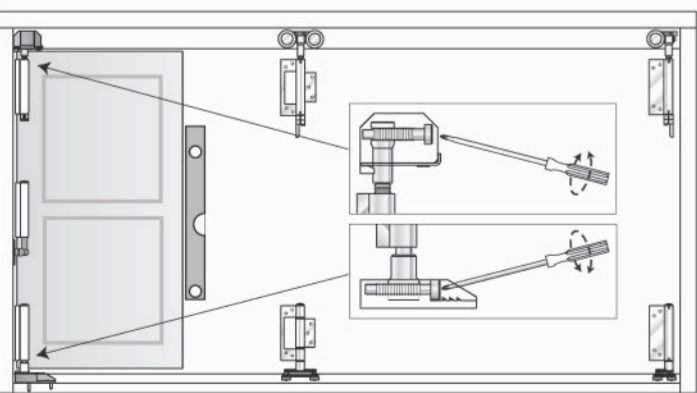


19. FITTING PIVOT PANEL

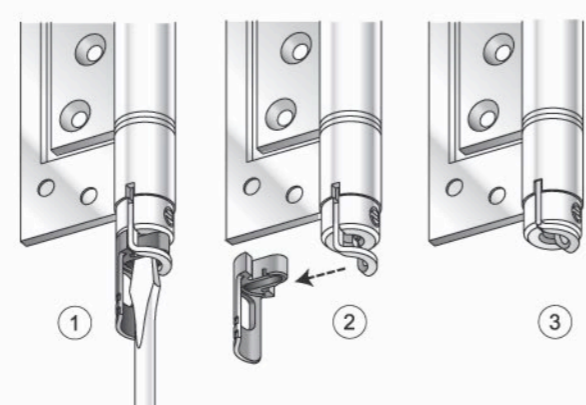


20. PANEL ADJUSTMENT

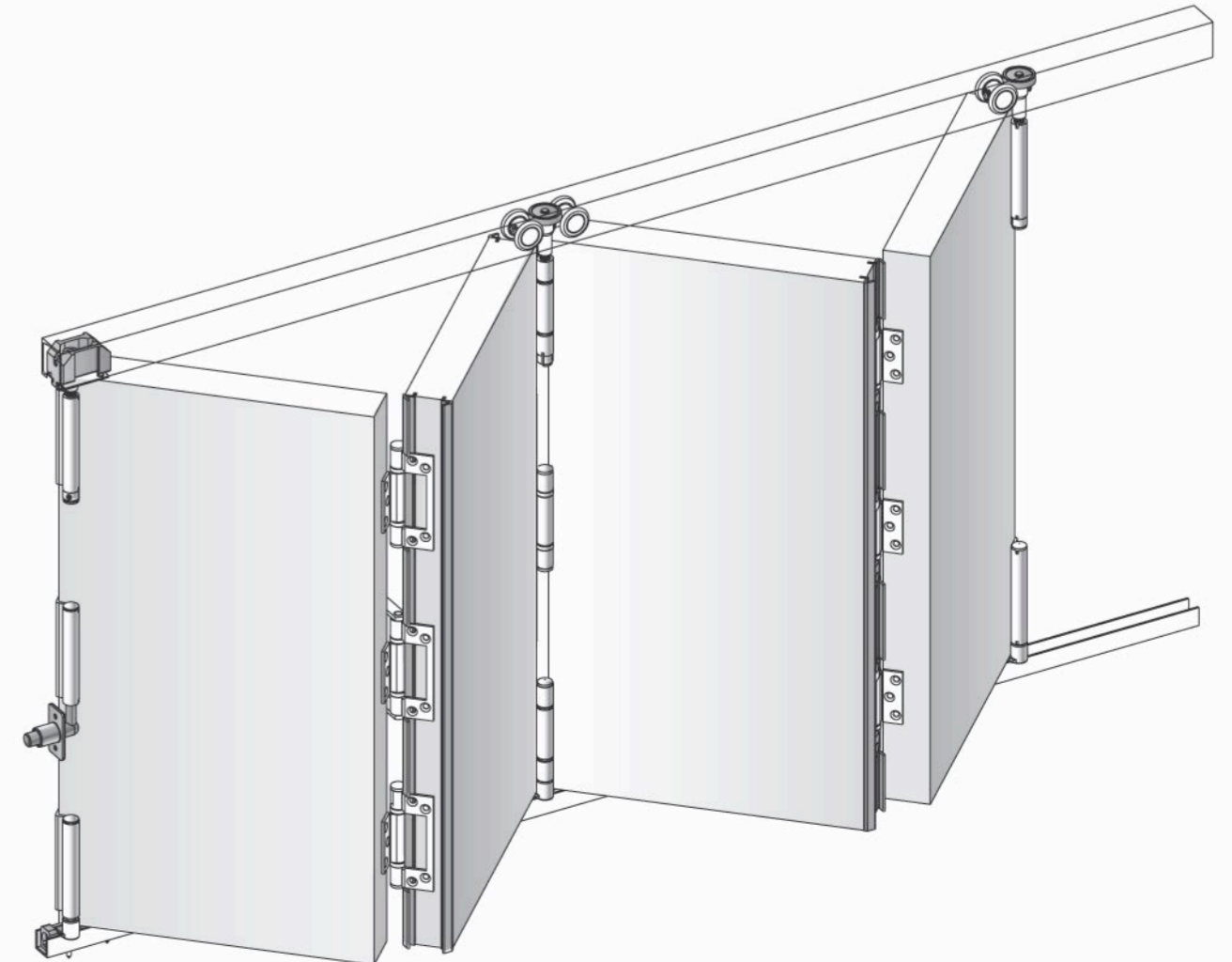
21. ADDING PANELS



22. FINAL ADJUSTMENT



23. REMOVE SHIPPING CLIP



ELEVATION AND OVERVIEW